



Preserving Breed Standards since 1983

AUTUMN 2019 NEWSLETTER

SCHSIA PRESIDENT'S LETTER

Hello fellow SCHSIA members I hope everyone had a great summer!

The Board of Directors have been working hard to keep improving the website tools available for all members and our Newsletter publication. We will be trying out this new and improved Newsletter format and will provide hardcopy mailings 3 times annually to all members. We welcome any feedback and would love to have more people involved with sharing photos and stories of raising the St. Croix. The online registration is up and running now and I have personally tried it myself to register some animals recently and it was a breeze to use.

I hope everyone can join us at the SCHSIA Annual Meeting this year, there is always lots of great food and fellowship along with door prizes!

Great News for the Breed!

I wanted to include a letter sent from Charlene Couch at the Livestock Conservancy May 2019:

"Each year The Livestock Conservancy reviews the Conservation Priority List (CPL). This has led to several changes for the 2019 version, the status for Saint Croix Sheep among them. We are excited to announce that Saint Croix Sheep have moved up on the Conservation Priority List from Threatened to Watch! The Watch category contains breeds that number >1000 annual registrations and >5000 animals globally.

Congratulations on your stewardship of this wonderful breed. It was careful management and promotion by the breed association that helped realize this improvement in numbers".

- Charlene Couch

DR CHARLENE COUCH, PhD, LIVESTOCK CONSERVANCY IS OUR KEY NOTE SPEAKER AT OUR ANNUAL MEETING THIS YEAR IN TOPEKA

Have a Great Fall!

Brent VanSickle
President SCHSIA

NEW ONLINE REGISTRATION AND MEMBERSHIP RENEWAL FORMS

The new Online Registration and Membership Renewal forms are ready for use by SCHSIA members!

This is a great time saver for those of you who are at ease on the computer. It requires setting up a Paypal account which is very easy and can be linked to your farm or personal bank accounts. Also, your association absorbs any credit card fees that may result. Currently, almost 50% of our Registrations and Dues renewals are being processed via this method.

For detailed instructions log on to the SCHSIA website at www.stcroixhairsheep.org and go to the home page where you'll find the article just below the 2019 Annual Meeting announcement.

If you have further questions, feel free to email or call me at gary@keibler.com or 502-228-3860.

Sincerely,

Gary Keibler
Treasurer

DUES ARE DUE

Greetings SCHSIA Members!

I hope everyone had a great summer. I know it definitely went by too fast for most of us. With fall and winter quickly approaching this is a great time for everyone to get all caught up on those lambing records, with that being said don't forget about your dues.

Our By Laws state that any member whose dues are not current by October 31 will be dropped from membership. Please mail your check, payable to SCHSIA, to Associated Registries, PO Box 231, Wamego KS 66547. You may also call in a credit card number to 785-456-8500 or you may pay using our new on line system at www.stcroixhairsheep.org. Follow the directions in the article on the Home page.

Sr. Dues are \$20.00

Jr. Dues are \$10.00

If you have a question about the above, or your membership status, please check our web page <http://www.stcroixhairsheep.org/membership>. Find the member list and click on your name. It will show your dues expiration date. You can also call/email AR, 785-456-8500, registrar@stcroixhairsheep.org or contact the Treasurer, Gary Keibler at gary@keibler.com, 502-228-3860.

Sincerely,

Gary Keibler

Treasurer



CONNECT WITH US ON FACEBOOK!

It's hard to believe that the St. Croix Hair Sheep International Assoc Facebook Page is now well into its 4th year! Though we are a closed group, we have over 180 members who regularly exchange pictures, stories, and information. It was originally established to be an efficient means of communication for our members. However, we've now expanded to admit anyone who owns or is otherwise enthusiastic about polled and white St. Croix Hair Sheep.

It's a great way to learn about upcoming Association events, as well as a network of support for new and established St. Croix farmers alike. If you haven't already, please consider joining us! Just type "SCHSIA" in the search bar at the top of the page. We'll be the first group in the list. We'd love to add you to our Facebook family!

Susan R. Brooks

Board Member, Eastern Director

SCHSIA PROFILE

ED & LINDA BARNES DORSEY LEE ST CROIX

PORTLAND, OREGON

SCHSIA: Can you give us an idea of your general background?

Barnes: Edward, went to Grant High school in Portland, then Lewis and Clark College, after 3 years he applied and was accepted to the University of Oregon's Dental School in Portland, Oregon, graduating in 1965. He also attended night classes in the spring receiving a BS from Lewis and Clark College at the same time. Edward spent 3 years in the Active Navy then came back to practice dentistry in Portland. He remained in the Naval Reserve and advanced to naval Captain and retired in 1988 after 27 years. Edward retired from dentistry in 2000.

Linda also went to Grant High school one year behind Edward and graduated in 1959. Linda finished business school and worked for insurance companies and married Edward in 1963 and supported the family until they left for Guam for the naval stretch. Since returning from Guam and until their children, Stephen and Jodie left home, Linda has been homemaker, horse trainer, farm manager and generally anything else supporting what the family needed. Even when they were poor and struggling, they had five horses who Linda rode daily. They have been married for 56 years.

SCHSIA: What year did you get started with SC? As a novel breed, how did you decide SC? Who did you purchase your starter flock from and how many animals did you start with?

Barnes: Early in the marriage (1968) the Barnes family had sheep (woolies). By the time we moved to Corbett, Oregon we had several sheep. But after two domestic dog kills, foot rot, trouble finding shearers and general everyday troubles, the Barnes's abandoned sheep. The St. Croix came into the picture about 1989. One of Edward's patients, a retired Army Sgt., Bob Menig would talk about St. Croix every time he came into the office for dental check-ups. He invited Ed and Linda to come see his amazing sheep in Carson, Washington. Not wanting to offend him and his wife Dotty, we took a drive up to his farm. Linda had made the statement "we will never have sheep again!", but to Ed's surprise she showed some interest in these sheep. Not terribly long after that, Bob was diagnosed with Cancer. His wife called Ed and asked if he would take the flock of registered 2 rams, 4 ewes and a wether. That is how St. Croix entered our lives.

SCHSIA: What were the ages of your children when you got your SC and what was the family involvement?

Barnes: The family always did everything together (play or work as they grew up), first it was showing horses, fishing, hunting, shell fish hunting, and when we started showing St. Croix, they were there too. The kids were 23, and 24. (Kids, ha)

SCHSIA: To your knowledge of the current membership roll, is your farm the oldest continual membership?

Barnes: The Swan Ranch acquired their sheep a few months after we got ours (according to Jo Swan) but the longest belongs to Charlie Bedinger, in Illinois. He was involved with St Croix and helped get them here and has been a member since 1983 when the original Association was first incorporated, and the registry formed.

SCHSIA: Can you tell us how many animals have been born on your farm and how many have been registered?

Barnes: We have registered 488 as of this year and have raised over 600 plus. We have never aspired to be a large farm and have limited pasture. We keep about 20 breeding ewes and breed to lamb in Spring and lamb in the Fall by splitting the herd.

SCHSIA: Where is the farthest location you have shipped your SC?

Barnes: We have sent St. Croix to the Philippine Islands, the State of Hawaii, eastern Maryland, Texas and Oklahoma. Also, all states that border Oregon.

SCHSIA: Did you, or do you have any farm favorites? Why?

Barnes: 1.) Minig 19, lived to age 16 and had 32 lambs. 2.) DL Summer 125, in 5 breeding's had 18 lambs including 3 sets of quads. 3.) DL Leland 17, super ram.



SCHSIA: In all your years of service to our registry, what are you most proud of?

Barnes: Establishment of actual original breed standards.

SCHSIA: Can you list each type of service and years served for each of you?

Edward: President, 4 years; vice president, 2 years; secretary, 4 years; NW director, 2 years; newsletter editor, 8 years.

Linda: 6 years secretary (different terms), NW Director, 10 years.

SCHSIA: How did the annual meeting get started? Favorite location other than Oregon?

Barnes: The need for an annual meeting was discussed at the very first meeting of the new association at Churchill St. Croix to comply with the original corporation formation in Arkansas in 1983 Bylaws. At that meeting, Cole Evans, of Utah State University, handed the reins of the registry to the new officers and agreed to host the first annual meeting at the University. Favorite locations have been in conjunction with Hair Sheep Seminars. (Texas, Virginia, and Oklahoma)

SCHSIA: Can you tell us how Linda got the Oregon State Fair (OSF) show started?

Barnes: Linda had sold sheep to Lynn Barnes (no relation) and Kim Meyer (bought her originals from Bob Menig). The girls had talked about a sheep show for our sheep since there were no classes at that time except for wool sheep. Linda talked to officials and had to fulfill required mandatory 2-week exhibit of sheep for three years. It was difficult but they managed, and the fair gave us a show with the stipulation of 35 sheep into the ring and have 5 different breeders. That was 21 years ago, and we have had a show every year since with 2 years being the feature breed of the fair. The first time we were the feature breed we had 96 sheep at the fair and 9 breeders. In the early days of the show Linda would only sell sheep to those who promised to show them and if children were involved promised if they showed their sheep, she would refund \$75.00 of the purchase price of each one shown.

SCHSIA: What is your favorite time of year with your SC?

Ed: Spring and Fall when babies are born. Baby lambs are the best.

Linda: Selling her sheep to new people.

SCHSIA: Can you tell the strategies you use(d) to get new members to join the association?

Need to join the Association to register and transfer babies. Attend annual meeting to gain perspective of what other farms are doing and chance to meet new friends and learn new ideas.

SCHSIA: After all the years, can you explain what it is you still find so appealing about raising SC? The attributes you cherish?

Barnes: Love their personalities, ease of care and that they taste good. The rams are docile and friendly even when breeding. In all our years we have only had one ram that was ornery to people.

SAVE THE DATE

2019 SCHSIA ANNUAL MEETING

OCTOBER 18-20, 2019

Mother earth News Fair-Topeka, KS

Capitol Plaza Hotel-800-579-7937

Reserve by 9/23/19 to secure our group rate of \$94/night

VISIT: www.stocroixhairsheep.org for details

REGISTRATION: \$30pp before 9/23/19, after 9/23/19 \$40pp

Registration includes weekend pass to MEN Fair, dinner on Friday evening, compliments of SCHSIA and favors to all members who attend.

SEND CHECK: payable to SCHSIA
c/o Gary Keibler, Treasurer
7401 Old Zaring Rd
Crestwood, KY 40014

If you have questions please contact:

Gary Keibler
502-386-1648
gary@keibler.com

Joyce Keibler
502-767-3475
joyce@hemmerhillfarm.com

REPORT FROM PARADISE

IMPACT OF HURRICANE MARIA ON THE SHEEP RESEARCH FACILITY AT UVI

Dr. Bob Godfrey

*Director & Professor – Animal Science
Agricultural Experiment Station
University of the Virgin Islands,
St. Croix, US Virgin Islands*

In September 2017 the US Virgin Islands were devastated by two category 5 Hurricanes only 12 days apart. Hurricane Irma primarily impacted St. Thomas and St. John and then Hurricane Maria impacted St. Croix. The Agricultural Experiment station has all of its research facilities, staff and faculty located on St. Croix on the Albert A. Sheen Campus of UVI and suffered severe damage.

The Sheep Research Facility was damaged so badly that all research activity has ceased up until March of 2019. The focus has been on clean up, recovery and rebuilding efforts. There was severe damage to the animal holding pens, pasture fences and the barn/office building was totally destroyed. But the most damaging impact was on the sheep flock itself. We lost 32 breeding ewes, out of a total of 91, 15 lambs and 1 ram either during the storm from physical trauma or in the immediate aftermath due to stress and orphaned lambs.

In our accelerated lambing system one of our flocks was due to start lambing in November and the other was scheduled for breeding in October. Most of the ewes that died during the storm were in the flock that was scheduled to breed in October, but they did have lambs at side. This flock was composed of St. Croix White and Dorper X St. Croix White ewes. The flock scheduled to lamb in November, consisting of all St. Croix White ewes, had fewer losses, but any ewe that died was carrying lambs as well. We are making efforts to develop replacement ewes adhering to our selection guidelines (twins, weaning weight index, conformation, pedigree) to build up numbers again but it takes time if it is done correctly. Flock management is ongoing and the animals are being cared for properly.

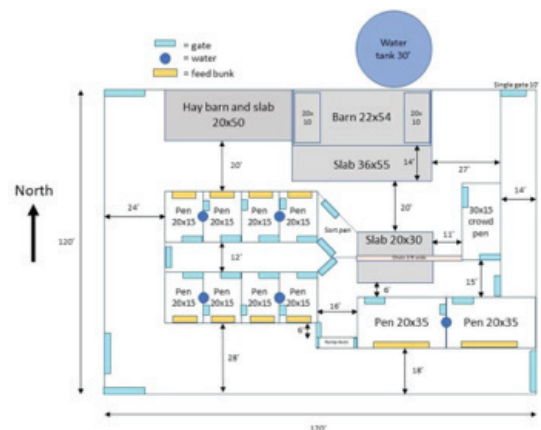
In the meantime, efforts are continuing with the rebuilding process. We have developed a proposal to relocate the AES Sheep Research Facility working pens and support buildings to a site on the farm that is not as prone to flooding like the original site was. It will also be built stronger to tolerate storm force winds much better. It will incorporate water catchment and storage capability as well as also provide for easier handling and sorting of animals for management and/or research activities.



The sign at the UVI-AES Sheep Research Facility after Hurricane Maria



Proposed location of new UVI-AES Sheep Research Facility



Layout of new UVI-AES Sheep Research Facility



AES Sheep Research Facility working pens before (left) and after (right Hurricane Maria).



AES Sheep Research Facility animal holding pens before (left) and after (right Hurricane Maria).



AES Sheep Research Facility barn/office and working chute before (left) and after (right Hurricane Maria).



Hemmer Hill



Three Sisters Livestock



Heritage St. Croix

SEND US YOUR PICTURES ON FACEBOOK FOR A CHANCE TO BE FEATURED ON THE NEXT NEWSLETTER!



<https://www.stcroixhairsheep.org/>



<https://www.facebook.com/groups/SCHSIA/>



Preserving Breed Standards since 1983

secretary@stcroixhairsheep.org

8835 S. Lone Elder Rd
Canby, Oregon 97013